

Overview

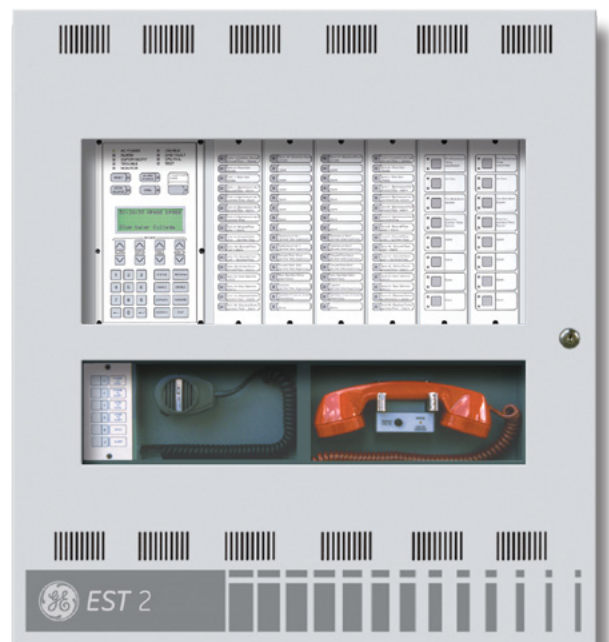
EST2 Audio Fire Alarm is modular in design. Audio control panels provide all the features of EST2 with the added benefit of one or two channel audio. Audio cabinets integrate both Fire Alarm control equipment and audio control equipment ensuring both functionality and aesthetics. When distributed amplification is needed a single APS power supply cabinet supports mounting of up to two 50 watt distributed amplifiers in remote locations.

The EST2 audio panel provides an efficient emergency paging, evacuation signaling and firefighters telephone system in perfectly integrated modular packages.

Standard Features

- Uniform system design
- One or two channel audio
Configure with or without Firefighters telephone
- 30 and 50 watt distributed amplifiers
- Integral 15 function tone generator
- Page by firefighters telephone with four state phones
- Signature series detectors and modules supported
- Class B or A Signature data circuit(s)
- 96 detectors and 94 modules per circuit
- Two integral Class A or B notification appliance circuits
- 576 event history log

EST2 – Audio Control



Application

EST2 audio suits applications requiring emergency voice paging and evacuation signaling with or without firefighter's telephone. Single channel or dual channel applications easily configure using Signature distributed amplifiers. Distributed amplifiers are available in 30 watt and 50 watt sizes. All EST2 audio amplifiers easily configure for 25Vrms or 70Vrms operation through simple jumper selection.

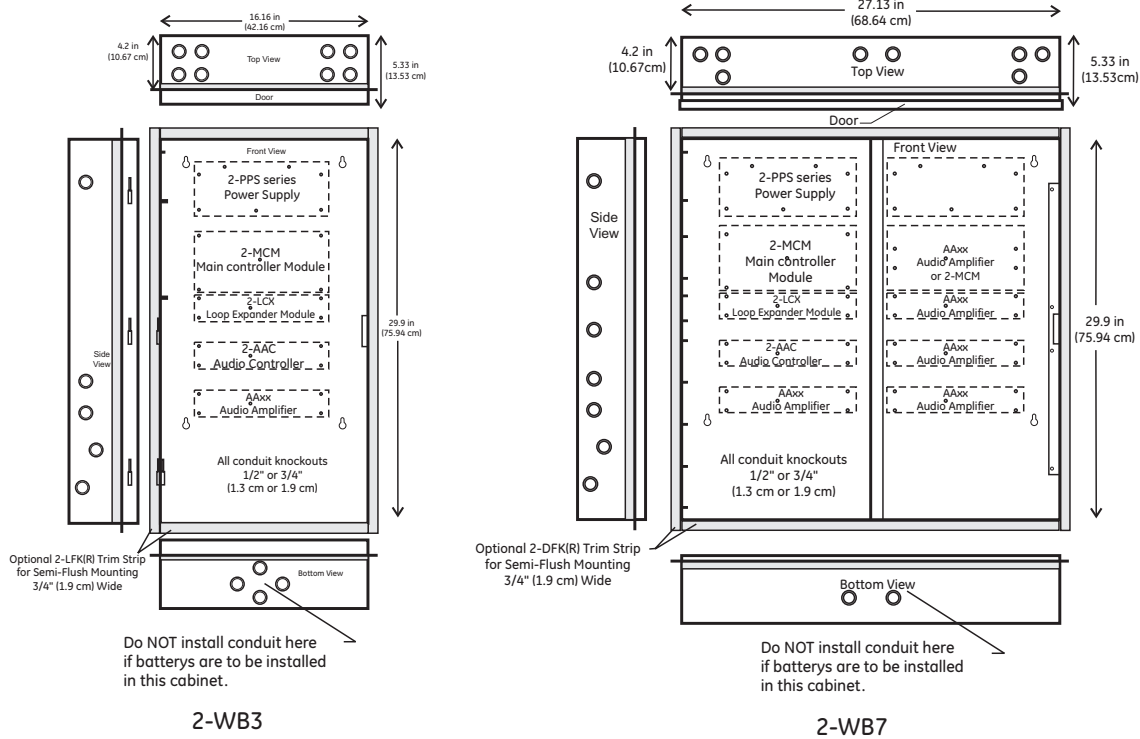
EST2 with SIGA Amplifiers:

Signature amplifiers provide Class B or Class A wiring of audio output circuits. Speakers connect directly to the output of the SIGA amplifier or the amplifier output can run as an audio riser to signature modules where speaker zone selection is made. Each SIGA amplifier has a built in 1kHz tone generator and provision for

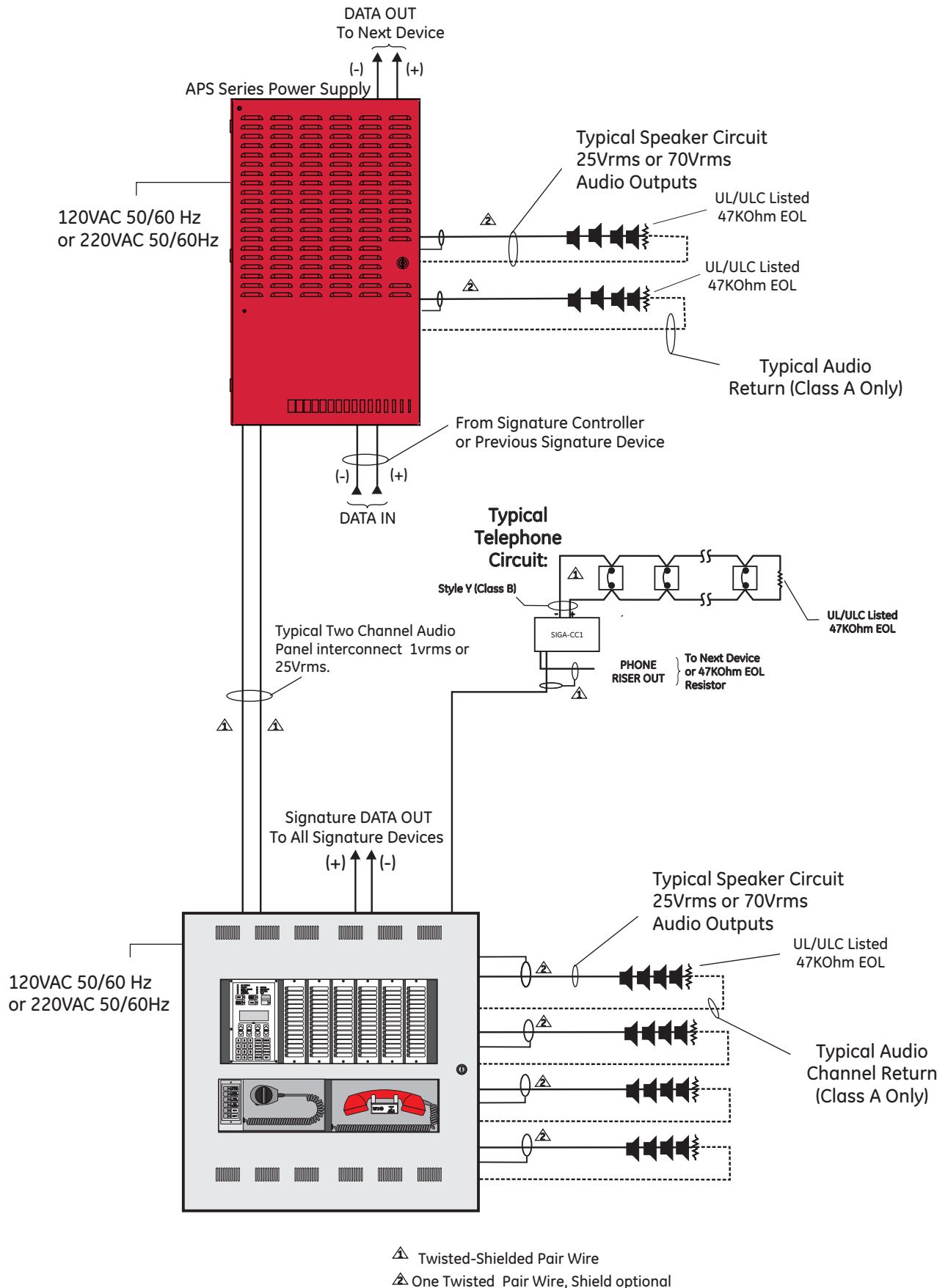
a back up amplifier. Should an amplifier lose its input signal the output will switch to a back up amplifier. If there is no back up amplifier or the output from the back up is unavailable the output will receive the internal 1kHz tone as the evacuation signal.

For installations requiring firefighter's telephone, EST2 offers a master telephone module that allows communication with remote telephone stations. System paging is available through the front panel master microphone or through remote telephone stations when configured. Six front panel switches allow the emergency user to Page to the EVAC riser, Page to the ALERT riser or quickly place EVAC or ALERT tones on the risers.

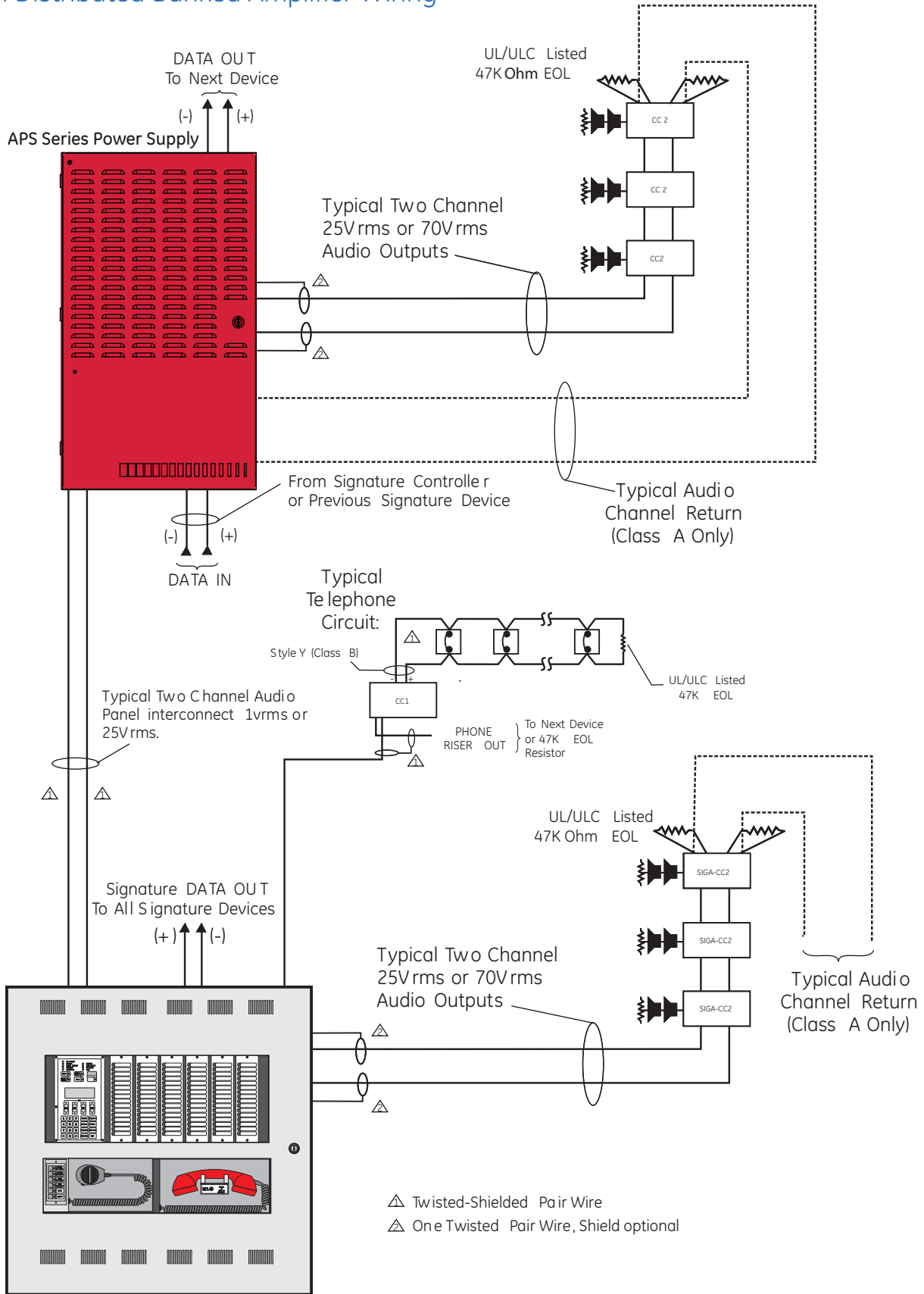
Installation and Mounting



Typical Zoned Amplifier Wiring



Typical Distributed Banked Amplifier Wiring



Specifications

Power Supplies	2-PPS	2-PPS/6A	2-PPS/220	2-PPS/6A-220
Notification Appliance Power	3.5 Amps @24 Vdc nominal	Two 3.2 Amp Taps @24 Vdc nominal	3.5 Amps @24 Vdc nominal	Two 3.2 Amp Taps @24 Vdc nominal
Auxiliary Output Power	500mA Max	N/A	500mA Max	N/A
Line Power	120 Vac 300Watts Max, 50/60Hz		220-240 Vac 300 Watts Max, 50/60Hz	
Agency Listings	UL			
Maximum Battery Size	Two 18 Amp Hour in 2-WB3 Two 18 Amp Hour or 11 Amp Hour batteries in 2-WB7 (See Note 1)			

Note 1: For applications over 17 Amp hour and up to 24 Amp hour use BC-1.

Main Controller/Display (2-MCD)

Signature Data Circuit	One Standard. Expandable to two with optional 2-LCX
Devices per SDC	96 Detectors, 94 Modules Maximum - 96 Isolators or Relay Bases
Terminal Wire Gauge	18-12 AWG (0.75-2.5 mm ²)
Relative Humidity	10-93% non condensing
Temperature Rating	0°-49°C (32° - 120°F)
Wiring Styles	Class A or Class B
Standard Auxiliary relays	1 Alarm Contact - 24 Vdc 1Amp; 1 Trouble Contact - 24 Vdc 1Amp; 1 Supervisory Contact - 24 Vdc 1Amp

Audio Control (2-AAC)

Agency Listings	UL, ULC, FM		
Standby Power	24 Vdc @ 65mA, 75mA with 2-TEL		
Active Power	24 Vdc @ 110mA		
Frequency Response	400Hz to 4kHz		
Output Level Distortion Wiring Configuration	Two Audio Outputs Channels 1 Vrms <1% Two Channels Class B or Class A		
Auxiliary Inputs Input Impedance Input Level	Two Electrically Isolated Inputs 10K Ohm 0.5 to 1.75 Vrms		
Loading	15 Signature Amplifiers Max.; 100 Ohm Max. 0.2µF Max.		
Supervision	DC: 47K Ohm EOL or AC Audio Pulse		
Internally Generated Tones	Slow Whoop	1kHz 20 Beats per min.	Low Tone
	1kHz Steady	Fast Whoop	Fast Hi-Lo Tone
	1kHz Morse U	1kHz March Time	4-4 Code
	Chime Hi-Lo	Hi-Lo	1kHz @ 120 Beats per min.
	Horn Temporal (3-3-3)	Horn	
Microphone	Dynamic, Push - to - Talk; 2-MIC mounts on inner door of 2-WB3 or 2-WB7		
Firefighters Telephone	Max. Five remote phones active. 2-TEL mounts on Inner door of 2-WB7		
Relative Humidity	10-93% non condensing		
Temperature Rating	0°-49°C (32° - 120°F)		
Wiring Styles	Class A or Class B		

U.S.
T 888-378-2329
F 866-503-3996

Canada
T 519 376 2430
F 519 376 7258

Asia
T 852 2907 8108
F 852 2142 5063

Australia
T +61 3 9239 1200
F +61 3 9239 1299

Europe
T 32 2 725 11 20
F 32 2 721 86 13

Latin America
T 305 593 4301
F 305 593 4300

www.gesecurity.com/est

© 2009 General Electric Company
All Rights Reserved

Signature Series is a Trademark
of GE Security.

Ordering Information

Catalog Number	Description	Ship Wt. lb. (kg)
Electronics		
2-MCD	Main Control and Display (add "-CC" for City of Chicago)	1.5 (.7)
2-PPS	4.5 amp power supply 120VAC	2.5 (1.1)
2-PPS/220	4.5 amp power supply 220VAC	2.5 (1.1)
2-PPS/6A	6.4 amp power supply 120VAC	2.5 (1.1)
2-PPS/6A-220	6.4 amp power supply 220VAC	2.5 (1.1)
2-MIC	Master Paging Microphone (add "-CC" for City of Chicago)	3 (1.3)
2-TEL	Firefighters Master Telephone	4 (1.8)
2-AAC	Audio controller (add "-CC" for City of Chicago)	1 (.45)
Wallboxes		
2-WB3	EST2 Long Surface Wallbox - Gray finish. For Semi-Flush mounting order trim Kit. See note 1.	20 (.9)
2-WB3D	Inner and outer doors for 2-WB3 wallbox. See note 1.	18 (8.2)
2-WB7	EST2 Double Wide Surface Wallbox - Gray finish. For semi-Flush mounting order trim Kit. See note 1.	39 (17.7)
2-WB7D	Inner and outer doors for 2-WB7 wallbox. See note 1.	36 (16)
RACCR	Remote Audio Closet Cabinet. Red Finish	19 (8.6)
RACCDR	Door for RACCR wallbox	13 (5.9)
Trim Kits		
2-LFK	Long Semi-Flush Trim Kit for 2-WB3 wallbox. See note 1.	4 (1.8)
2-DFK	Double Wide Semi-Flush Trim Kit for 2-WB7 box. See note 1.	5 (2.3)
<i>Note: 1. Standard finish is gray, red versions are available by adding suffix R to the catalog number e.g. 2-WB3R.</i>		
Related Equipment		
SIGA-AA30	30 Watt Intelligent Audio Amplifier	2 (.9)
SIGA-AA50	50 Watt Intelligent Audio Amplifier	2 (.9)
APS6A	6.5 Amp Auxiliary Power Supply	
APS6A/230	6.5 Amp Auxiliary Power Supply (220V)	
APS10A	10 Amp Auxiliary Power Supply	26 (11.8)
APS10A/230	10 Amp Auxiliary Power Supply (220V)	

